

PRODUCT PROFILE

LED25 PROCESS DISPLAY

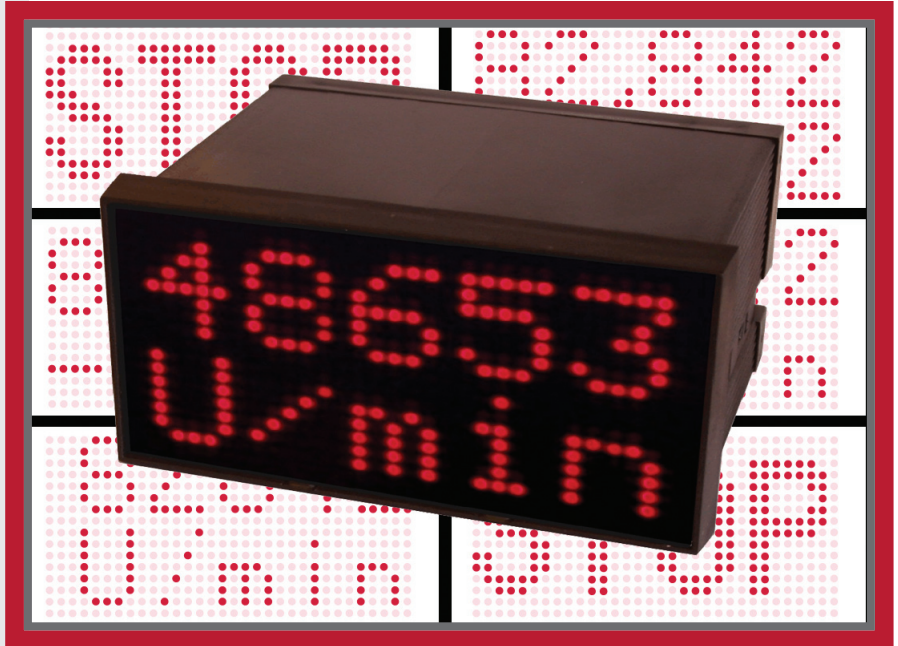
COMPACT VISUAL DISPLAY

Product Features

- The 32x16 - dot matrix is available in Red & Yellow LED
- High visibility for viewing up to 10m
- Full alphanumeric display
- Single or dual line display
- Blinking characters with configurable cycle time
- Daisy-chain RS 485 connection for up to 32 units
- DIP switches for node address and basic configuration
- Automatic LED intensity adjustment
- Standard industrial enclosure and cut-out dimensions
- Removable screw type connector

Product Description

The LED25 is a compact visual display that has been designed for increased legibility from long distances. It utilises the latest LED dot matrix technology, thus providing high luminous intensity, full alphanumeric character sets and high product lifetime. RS-485 connection allows for easy integration into industrial automation systems.



IMPORTANT: This product can only be ordered from Vtec Electronics GmbH or direct from Rockwell Automation Global Drive Systems group in Dierikon, Switzerland.

Application

The LED25 is ideal for displaying process information to an operator of an industrial production line. It can be installed in an operator panel or directly on the machine, providing information such as:

- Full text alarm and fault messages
- Machine and/or section status (Stop, Run, Accel, Decel, ...)
- Speed, position, length, or temperature data
- Reference to feedback comparison
- Freely configurable operator information

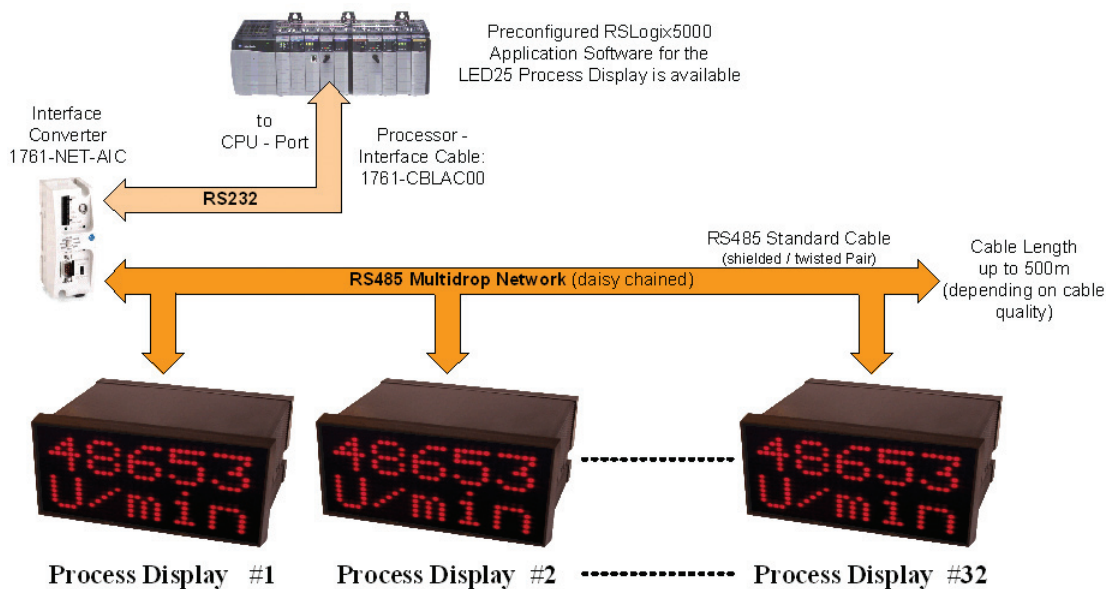
The display can be toggled from small to large characters or to a blinking condition at any time.

PRODUCT SELECTION, SPECIFICATIONS

Display	<ul style="list-style-type: none"> - Red & Yellow LED 32x16 - dot matrix - Full alphanumeric font set - 2 lines of 5 character each (17.8 mm height), visible up to ca. 7 m distance - 1 line of 4 characters (30.5 mm height), visible to more than 10 m distance - Selectable intensity adjustment
Electrical	<ul style="list-style-type: none"> - Supply voltage 8..32 VDC - Current requirement 180 mA at 24 VDC
Interface	<ul style="list-style-type: none"> - RS-485 multi-drop, 9600 Baud - Maximum 32 nodes per multi-drop network - Up to 500 m cable at 9600 Baud - (Belden #3106A, #9842, or Unitronic BUS CAN 1 x 2 x 0.34 mm² recommended)
Environment	<ul style="list-style-type: none"> - 0..50 °C ambient temperature - IEC60654-1 Class B (95% humidity, non condensing at 30 °C)
Enclosure	<ul style="list-style-type: none"> - DIN 43700 panel mount enclosure - Noryl UL 94-V0, black - IP65 (when installed in a panel, terminals are IP20)
Dimensions	<ul style="list-style-type: none"> - Width 96 mm - Height 48 mm - Depth 63 mm (80 mm including connector) - Panel cutout 92 mm x 45 mm - Weight 140 g
Standards	<ul style="list-style-type: none"> - IEC 1000-4-2, 3, 4, 5, 6

Accessories

1761-NET-AIC	Interface converter, RS 232 to RS 485
1761-CBL-AC00	Serial link cable, controller to interface, with DB-9 connectors on both ends
CLX Software	Configurable ControlLogix™ application software module



For further information, please contact:

Rockwell Automation AG
 Global Drive Systems
 Industriestrasse 9-11
 CH-6036 Dierikon,
 Switzerland

Telephone: +41 41 445 2222
 Fax: +41 41 445 2100
www.rockwellautomation.ch

Product manufactured and distributed by:

Vtec Electronics GmbH
 Schenkstrasse 1
 CH-3380 Wangen,
 Switzerland

Telephone: +41 32 631 11 54
 Fax: +41 32 631 12 16
www.vtec.ch